

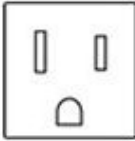

Features

- Protecting the input reverse polarity by its internal circuit
- Fan-less quiet operation (natural convection)
- The wide range of operating temperature
- Switching output voltage/frequency easily by button
- Pure sine wave output
- Light weight and thin design
- High efficiency (88~92% efficiency at rated load)
- Built-in remote-control function
- Abundant protective circuit
- Buzzer ON/OFF, LED brightness switchable
- With low power mode and sleep mode setting
- Wide input voltage range
- Input terminal cover for dust prevention



Specification

MODEL		GD150NA -112	GD150NA -124	GD150NA -148	GD150NU -212	GD150NU -224	GD150NU -248
Input	Battery Voltage	12V	24V	48V	12V	24V	48V
	Voltage Range*1	10.5~17Vdc	21~34Vdc	42~68Vdc	10.5~17Vdc	21~34Vdc	42~68Vdc
	Current Range	10~16 A	5~8A	2.5~4A	10~16 A	5~8A	2.5~4A
	No-load Current*2 (Low power mode)	0.4A	0.2A	0.1A	0.4A	0.2A	0.1A
	No-load Current*2 (Normal mode)	0.6A	0.3A	0.2A	0.5A	0.3A	0.2A
	Standby Mode Consumption*2	7mA	7mA	4mA	7mA	7mA	4mA
	Sleep Mode Consumption	1mA	3mA	3mA	1mA	3mA	3mA
	Efficiency at Rated Load	89%	89%	90%	90%	91%	92%
Output	Rated Power	150VA					
	Peak Power (3min.)	180VA					
	Surge Power (3sec.)	210VA					
	AC Voltage (Switchable)	100 default /110/115/120Vac±3%			230 default /200/220/ /240Vac±3%		
	Frequency (Switchable)	50±0.1Hz default, 50/60Hz					
	Waveform	Sine Wave, <3%THD					
	Voltage Tolerance	±3.0%					
	LED indicators	Operating status, Battery voltage level, Output power level, Protection function, Operation setting					
Function	Remote-control	Output remote ON/OFF control terminal					
	Option terminal	Six-position four-conductor (6P4C) modular jack					
Protection	Input	UVP*3, OVP*4, input reverse polarity					
	Output	OLP*5, SCP*6, output voltage error					
	Others	OTP*7, detect by internal temperature sensors					
Environment	Operating Temperature	-20~+50°C at rated load, +60°C at 70% load (Refer to De-rating Curve)					
	Operating Humidity	20~90%RH non-condensing					
	Storage Temperature/ Humidity	-30~+70°C, 10~95%RH					
	Vibration	10~500Hz, 3G 10min./ 1cycle, 60mins. XYZ axes					

Safety & EMC	Safety Standards	Certified EN62368-1					
	Withstand Voltage	Battery I/P-AC O/P: 3.0kVac AC O/P-Ground: 1.5kVac Battery I/P- Ground : 1.5kVac					
	Isolation Resistance	Battery I/P- AC O/P: >1000MΩ/500Vdc/25°C/70% RH ACO/P -Ground: >1000MΩ/500Vdc/25°C/70% RH Battery I/P - Ground: >1000MΩ/500Vdc/25°C/70% RH					
	EMC Immunity	EN55024					
	EMC Emission	EN55032, FCC class A			EN55032		
Others	Dimensions (L×W×H)	234.0×146.5×44.0mm					
	Weight	0.9kg					
	Accessories	Cable with plug*8	-	-	Cable with plug*8	-	-
	Socket Type	 NEMA 5-15R			 Universal		

All parameters NOT specially mentioned are measured at 112/212: 12Vdc, 124/224: 24Vdc, 148/248: 48Vdc input, 150VA rated load, power factor=1.0, 25°C of ambient temperature and under the default setting.

*1 Tolerance of voltage: 112/212: ±0.5V, 124/224: ±1V and 148/248: ±2V.

*2 Average.

*3 UVP: Under Voltage Protection.

*4 OVP: Over Voltage Protection.

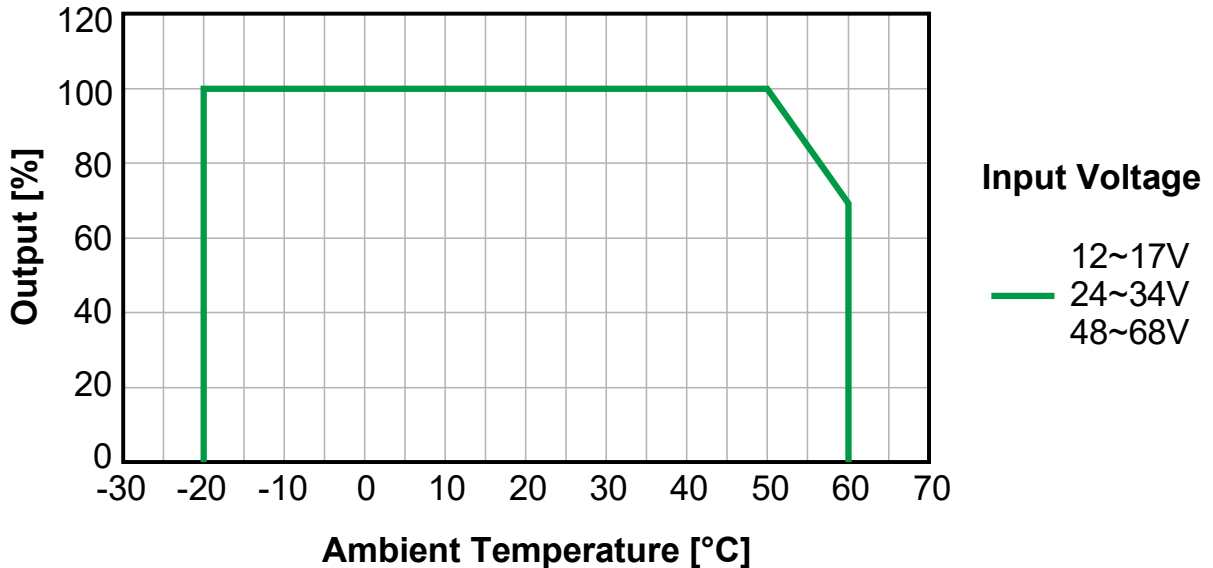
*5 OLP: Over Load Protection.

*6 SCP: Short Circuit Protection.

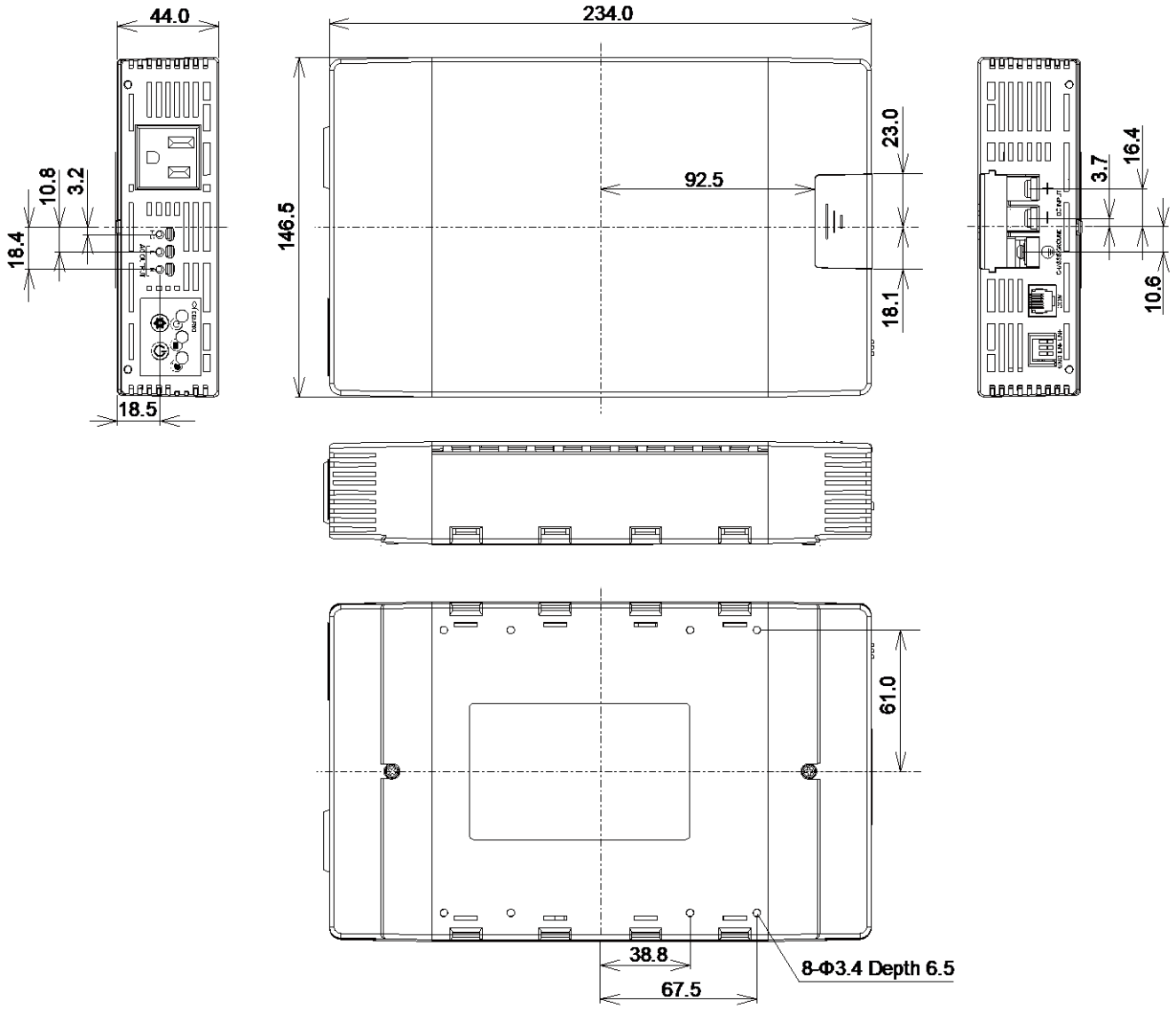
*7 OTP: Over Temperature Protection.

*8 Length of cable: 1500±30mm

De-rating Curve



■ Dimensions



Unit [mm]