

Features

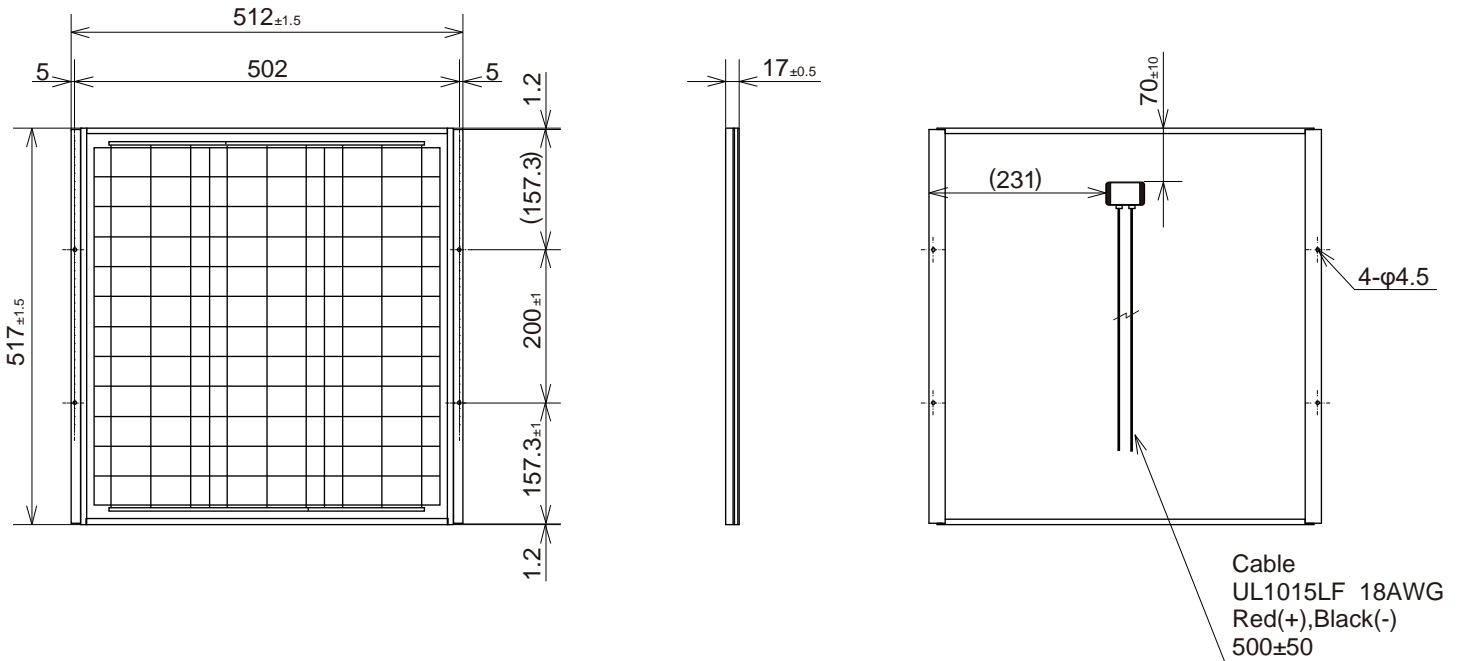
- Polycrystalline silicon
- Maximum power point 32W
- Easy installation
- Lightweight and thinness
- As a power source for street lights, camp car etc.



Specification

MODEL	DB032T-12
Maximum Power Point (Pmax)	32W
Maximum Power Point Voltage (Vmpp)	18.0Vdc
Maximum Power Point Current (Impp)	1.84A
Open Circuit Voltage (Voc)	22.9Vdc
Short Circuit Current (Isc)	2.0A
Dimensions (DxWxH)	17x512x517mm
Weight	2.7kg

Dimensions



Unit [mm]