

## Features

- 13 options of adjustable lighting controls
- Power saving by PWM & PFM control
- Switchable capability of manual lighting test
- High weather resistant panel
- Well-designed appearance made by powder coating skill
- Simple and low power-consumption display by single LED indicators

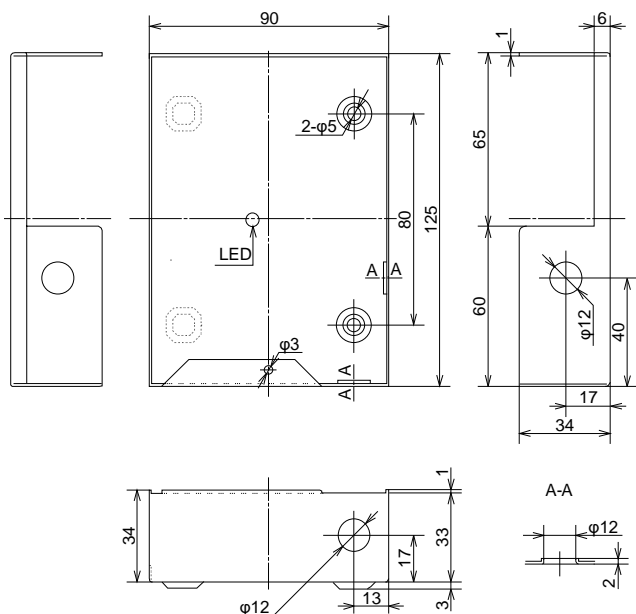


## Specification

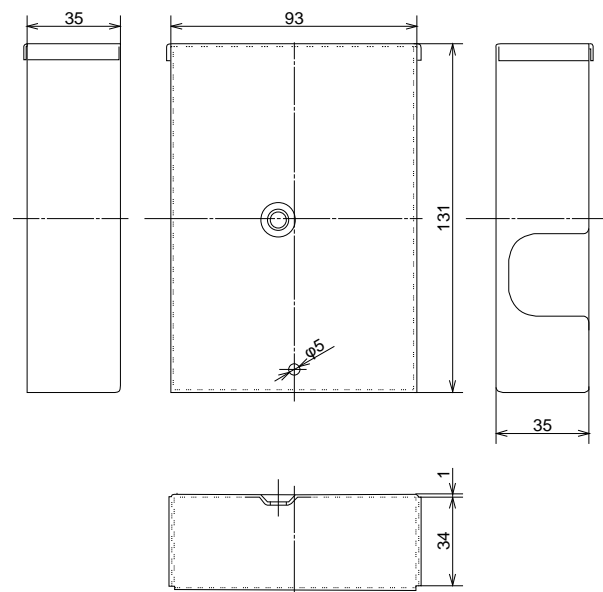
MODEL	DPLS-10	
System Voltage	12V	
Max. Input Voltage	30Vdc	
Max. Input Current	10A	
Max. Load Current	10A	
Self-consumption Current	9mA	
Charging Voltage	14.1Vdc	
Over Discharge Protection	Error	10.6Vdc
	Recovery	12.5Vdc
Operation Temperature	-20~60°C	
Storage Temperature	-20~60°C	
Humidity	30~90%RH non-condensing	
Dimensions (D×W×H)	40 × 96 × 131mm	
Weight	420g	

## Dimensions

### Inside



### Cover



Unit [mm]

## ■ ■ Lighting Control Options

DIP Switch Settings				Load Operation
1	2	3	4	
OFF	OFF	OFF	OFF	Load always on
OFF	OFF	OFF	ON	4 hours on
OFF	OFF	ON	OFF	4 hours on -> 4 hours PWM dimming to 25%
OFF	OFF	ON	ON	4 hours on -> 6 hours PWM dimming to 25%
OFF	ON	OFF	OFF	4 hours on -> 8 hours PWM dimming to 25%
OFF	ON	OFF	ON	6 hours on
OFF	ON	ON	OFF	6 hours on -> 4 hours PWM dimming to 25%
OFF	ON	ON	ON	6 hours on -> 6 hours PWM dimming to 25%
ON	OFF	OFF	OFF	6 hours on -> 8 hours PWM dimming to 25%
ON	OFF	OFF	ON	8 hours on
ON	OFF	ON	OFF	8 hours on -> 4 hours PWM dimming to 25%
ON	OFF	ON	ON	8 hours on -> 6 hours PWM dimming to 25%
ON	ON	OFF	OFF	NA
ON	ON	OFF	ON	NA
ON	ON	ON	OFF	NA
ON	ON	ON	ON	Load on from Dusk to Dawn