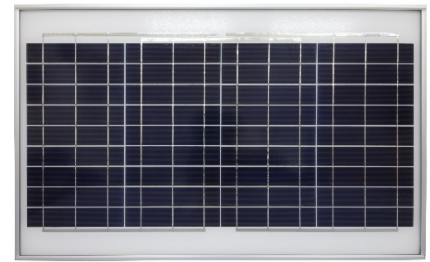


Features

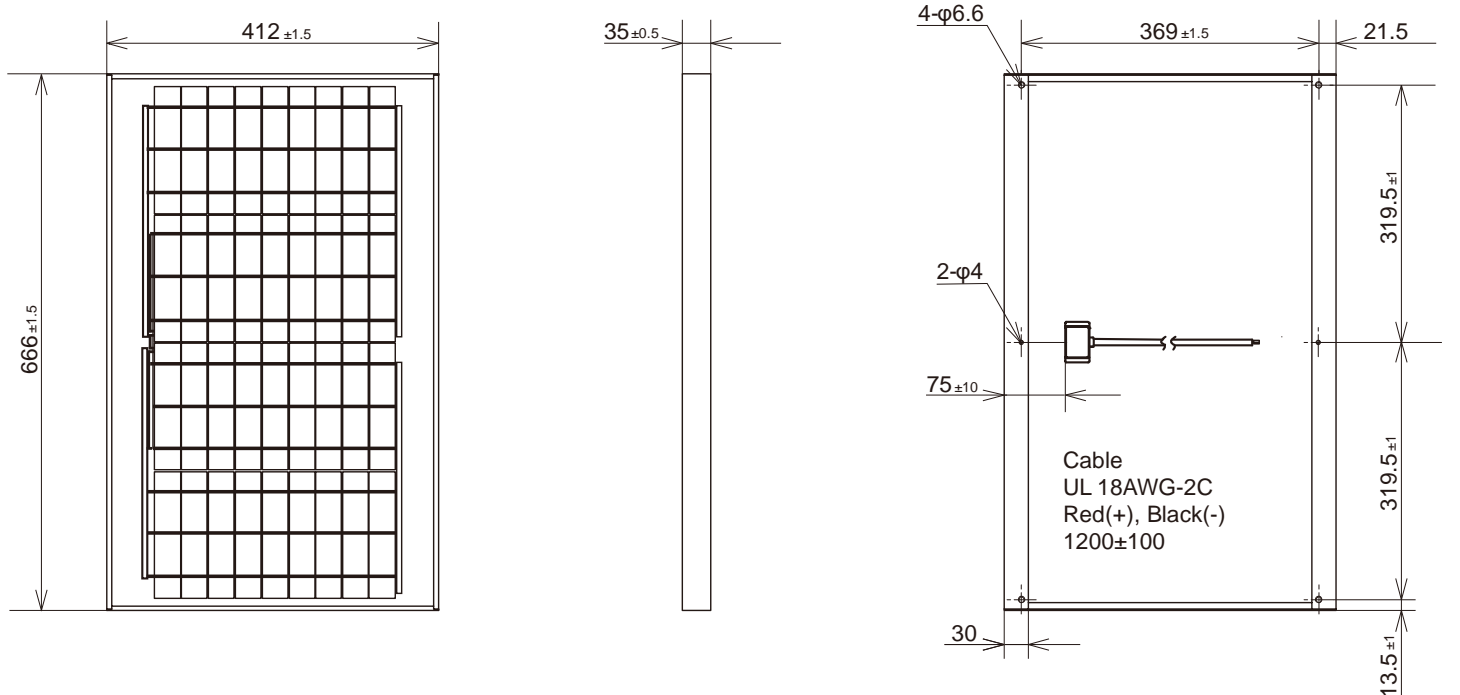
- Polycrystalline silicon
- Maximum power point 30W
- As a power source for traffic signs, LED etc.



Specification

MODEL	DB030-12
Maximum Power Point (Pmax)	30W
Maximum Power Point Voltage (Vmpp)	17.0Vdc
Maximum Power Point Current (Impp)	1.77A
Open Circuit Voltage (Voc)	21.6Vdc
Short Circuit Current (Isc)	1.88A
Dimensions (DxWxH)	35x666x412mm
Weight	3.4kg

Dimensions



Unit [mm]